

# DC pumps **ecocirc**<sup>®</sup> solar

The first DC spherical motor pump for direct connection to photovoltaic panels with automatic performance optimization using MPP technology (Maximum Power Point tracking)

- soft start at very low insolation  
(soft start algorithm, less than 1 Watt required)
- economical and powerful
- long life, blockage free and maintenance free
- RF suppressed
- protection against reverse polarity



**LAING**

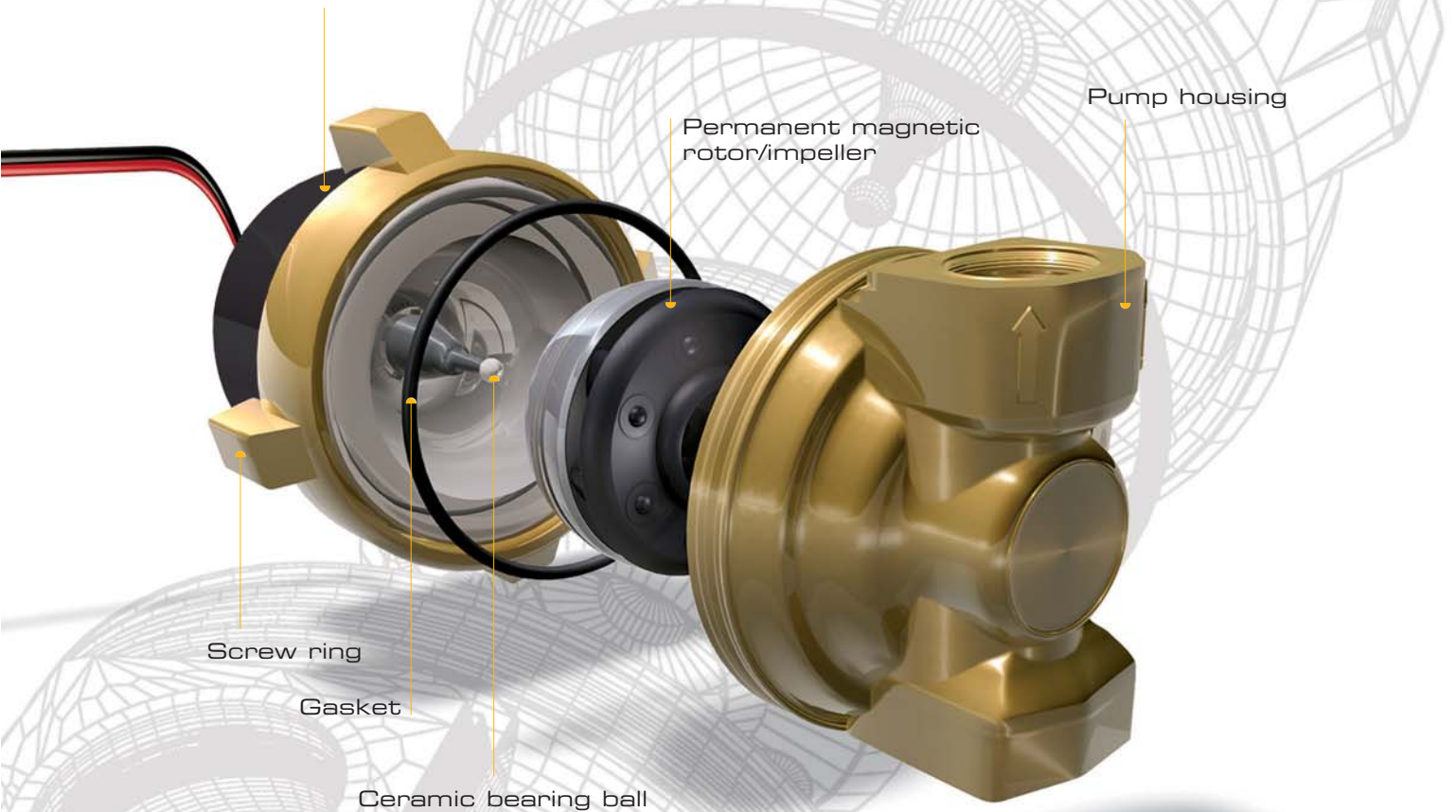
simply the best · by design



# Design

## DC pumps Ecocirc solar

Stator with integrated MPP technology, overtemperature protection and soft start-up



D5solar-38/700 B



D5solar-38/100 B



D5solar-38/830 N



D5solar-38/810 N



D5solar-38/790 N

## ecocirc® solar DC pumps

Model	Part number	Pump housing material	Max. system temperature	Housing design / Length Others	Connection	Product category
D5solar-38/700 B	60 00 403	Brass	95° C	Inline / 65mm	1/2" female thread	C
D5solar-38/100 B	60 00 413			Inline / 110mm / RV+KV*	1 1/4" male thread**	
D5solar-38/830 N	60 00 423	Noryl	60° C	Angled housing	1/2" male thread	
D5solar-38/810 N	60 00 433			Angled housing	1/2" hosebarb thread	
D5solar-38/790 N	60 00 443			Angled housing	3/4" hosebarb thread	

\* integrated check valve and ball valve

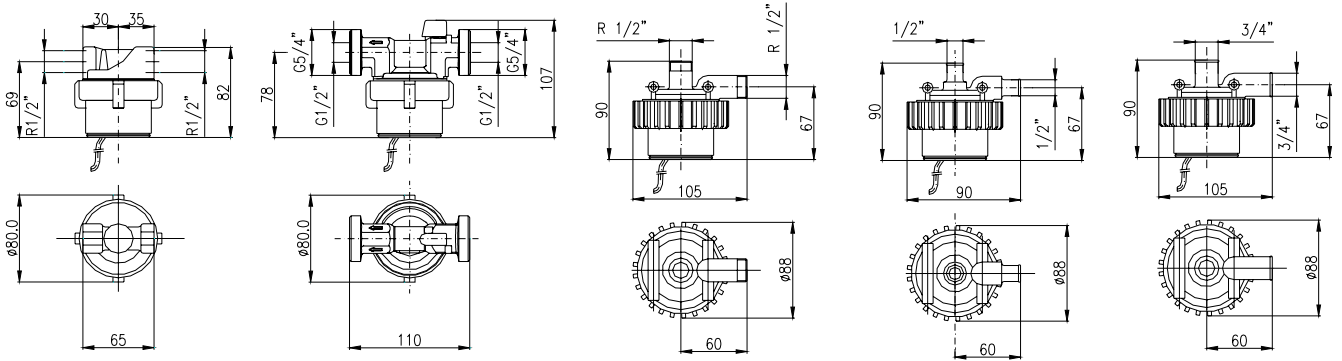
\*\* for connection to 3/4" union components. Housing has additionally a 1/2" female connection

## ecocirc® solar Accessories, components and spare parts

Model	Part number	Description	Product category
D5solar-38/000	60 00 490	Replacement motor for D5 solar incl. gasket	C
F 72	95 00 732	Rotor/Impeller incl. gasket for Ecocirc solar D5	
MW C	95 00 041	Mounting plate for Ecocirc solar D5 with Noryl pump housing	

# Dimensional drawings for Ecocirc® solar DC pumps

All dimensions in mm unless rated



D5solar-38/700 B

D5solar-38/100 B

D5solar-38/830 N

D5solar-38/810 N

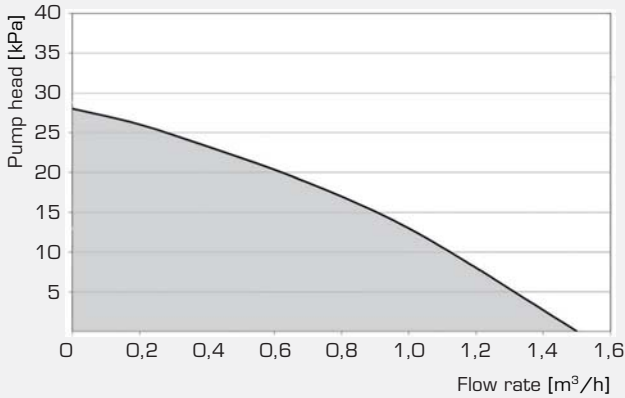
D5solar-38/790 N

## Pump curves

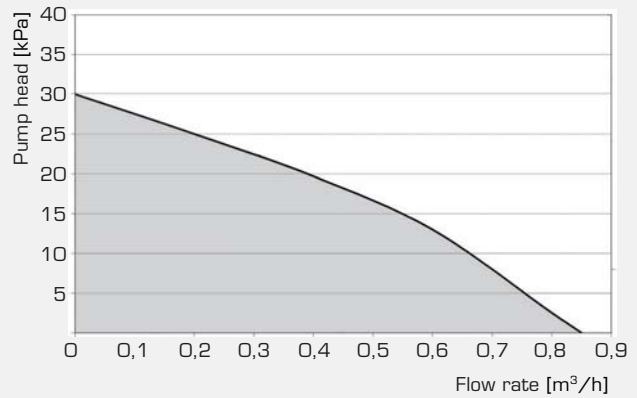
At 12 Volt, min. start-up power consumption less than 1 Watt (12 Volt panel),  
max. power consumption approx. 22 Watt;



D5solar-38/700 B



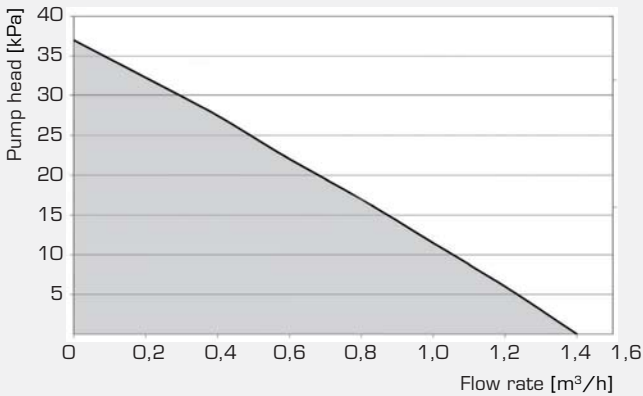
D5solar-38/100 B



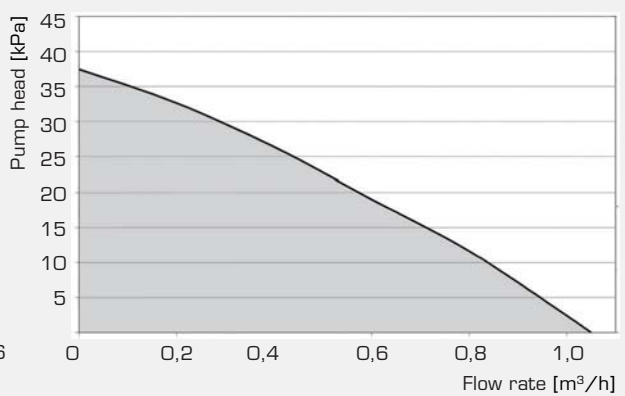
D5solar-38/830 N



D5solar-38/790 N



D5solar-38/810 N



01062006 Subject to change without notice

